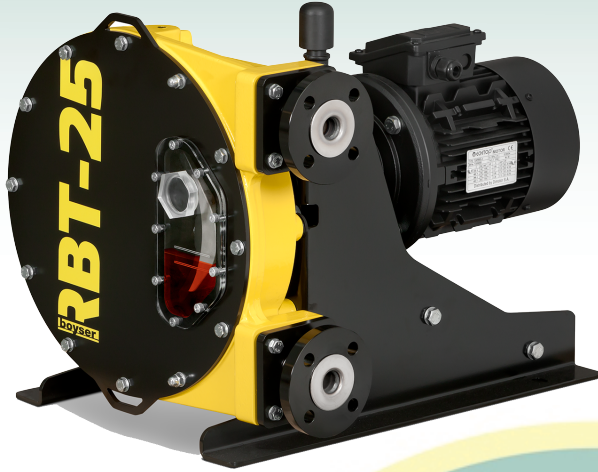


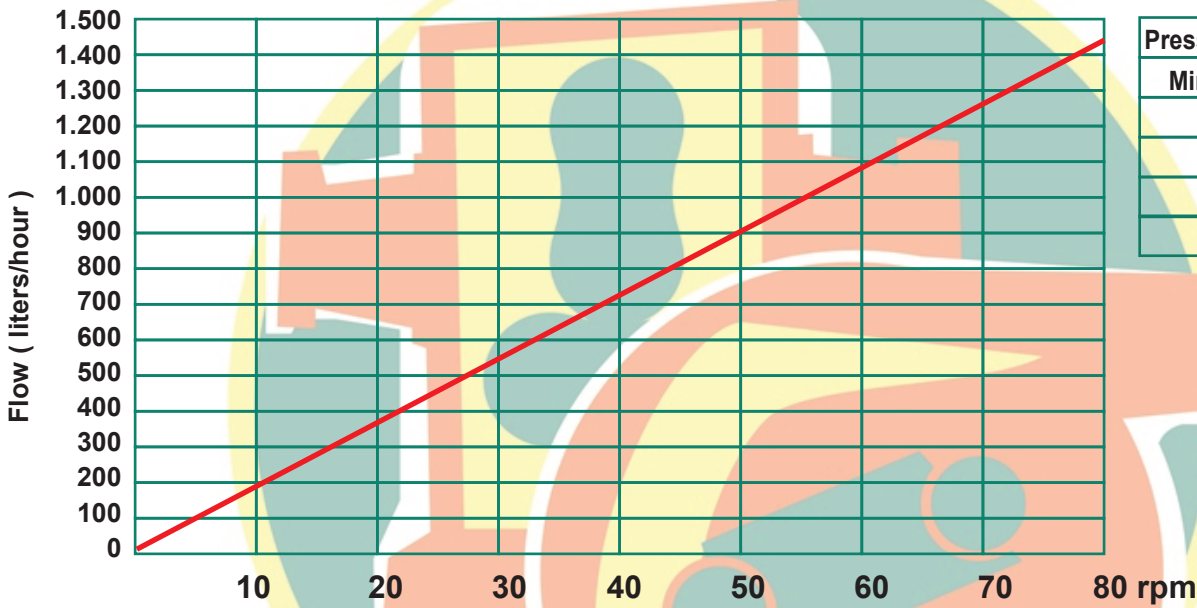


# Industrial Peristaltic Pumps

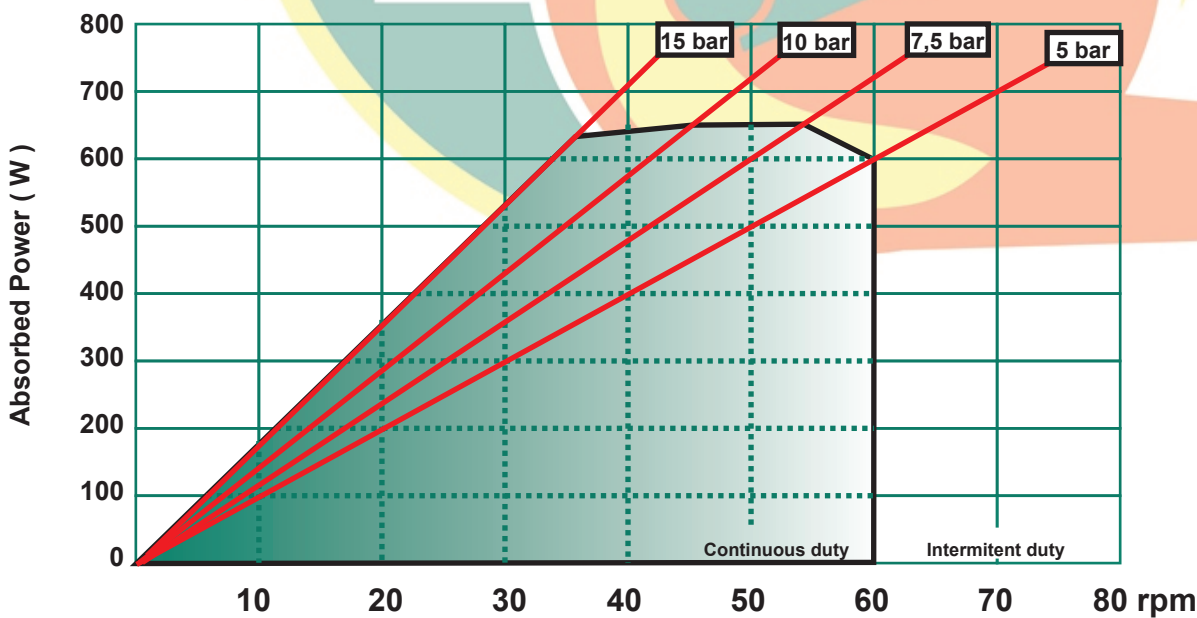
## RBT-25/B Data sheet



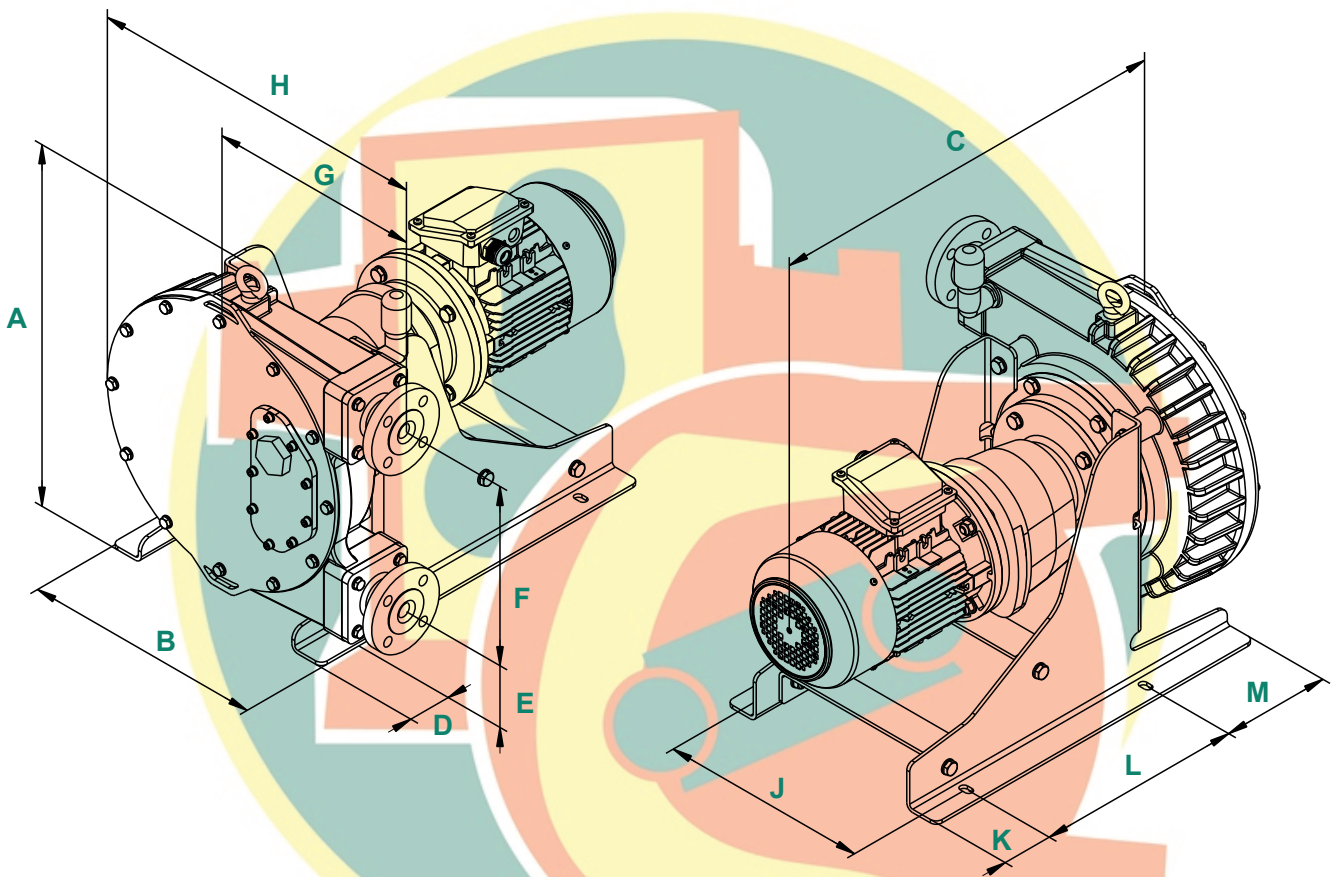
<b>Capacity:</b>	0,3 l/rev.
<b>Connections:</b>	DN-25
<b>Max. Pressure:</b>	15 bar
<b>Rotor system:</b>	Shoes
<b>Available hoses:</b>	NR NBR EPDM HYPALON NR-A NBR-A



Pressure (bar)	Torque (Nm)
Minimum	115
5	115
7,5	115
10	140
15	170



Description	Material	Surface treatment
Pump housing	Cast Iron EN-GJL-250	Polyester powder coated Halar coated (Optional)
Front cover	Steel F-111 / Methacrilate	Polyester powder coated Halar coated (Optional)
Rotor	Nodular Cast Iron EN-GJL-400	Cataphoresis
Shoes	Nodular Cast Iron EN-GJL-400	Hardened
Base plate	Steel F-111 Stainless Steel AISI-304 (Optional)	Polyester powder coated --
Connections	Stainless Steel AISI-304 Polypropylene (Optional) PVDF (Optional)	--



A	B	C	D	E	F	G	H	J	K	L	M	Connections
470	356	*	52	103	264	271	466	308	75	305	160	DIN DN25

\* To confirm according type and power driver.



**Bombas Boyser, S.L.**

c/ Miquel Martí i Pol, s/n - Pol. Ind. Pla de la Costa  
08182 Sant Feliu de Codines - Barcelona - Spain

Tel. +34 93 844 77 78 info@boyser.com

[www.boyser.com](http://www.boyser.com)

