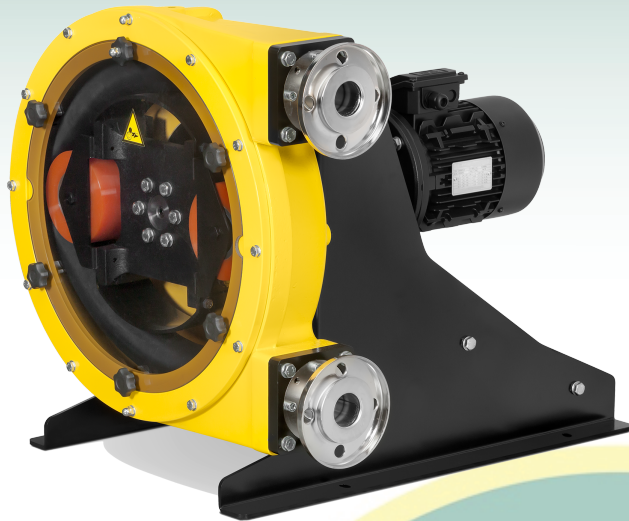


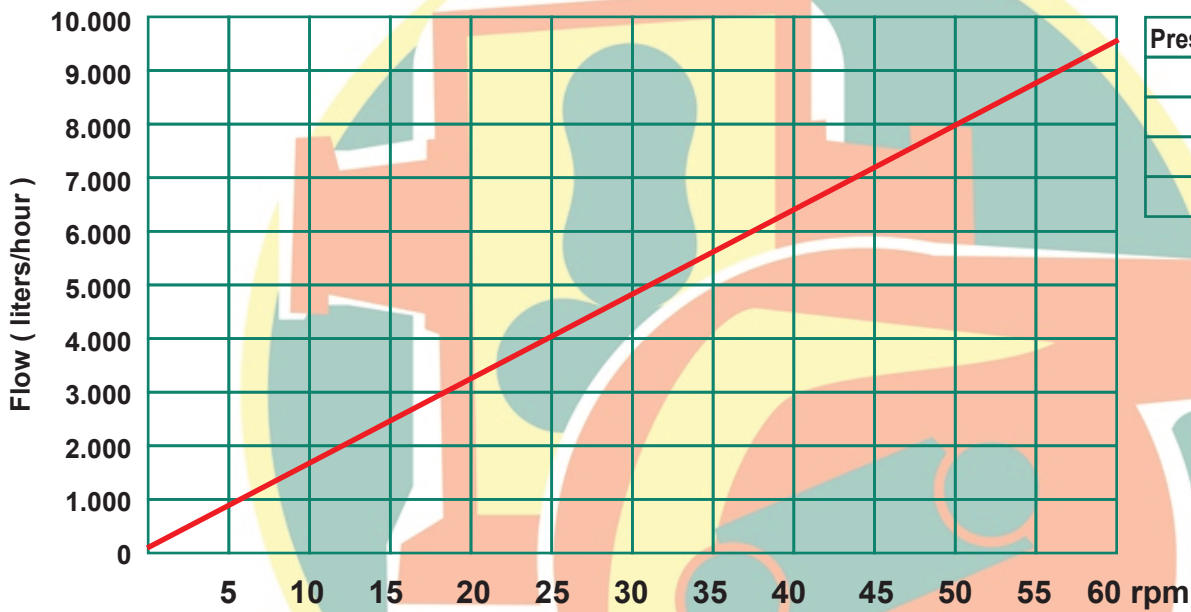


# Industrial Peristaltic Pumps

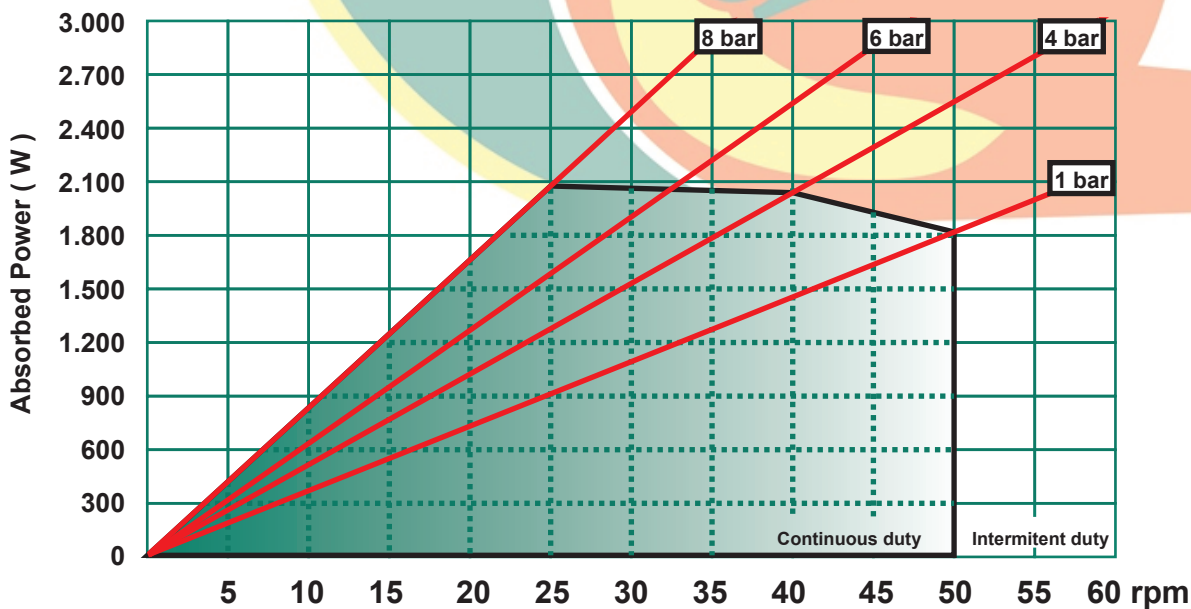
## FMP-60/B Data sheet



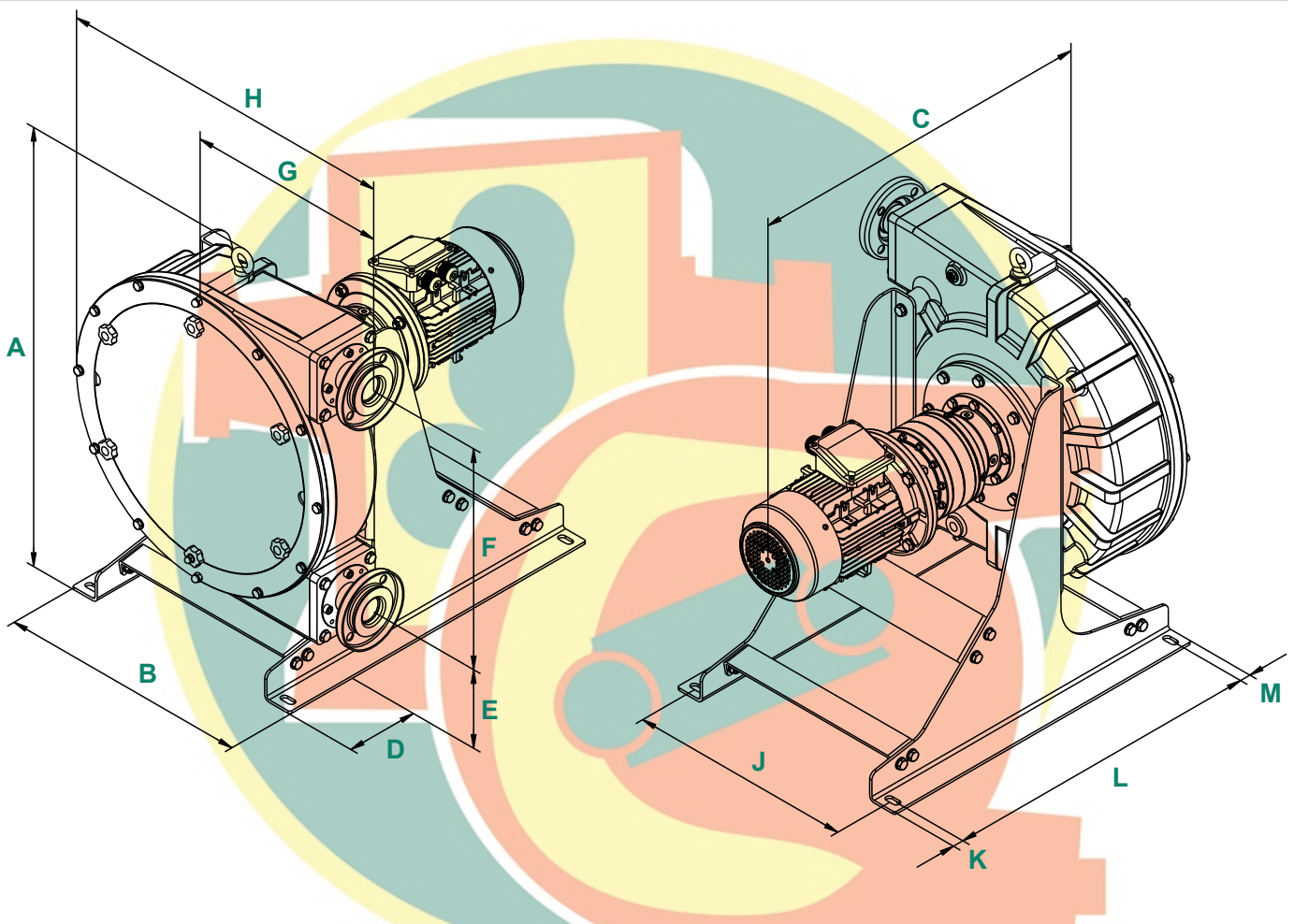
<b>Capacity:</b>	2,69 l/rev.
<b>Connections:</b>	DN-50
<b>Max. Pressure:</b>	8 bar
<b>Rotor system:</b>	Enlarged Rollers
<b>Available hoses:</b>	NR NBR EPDM HYPALON NR-A NBR-A
<b>Available tubes:</b>	TPV



Pressure (bar)	Torque (Nm)
1	340
4	500
6	610
8	800

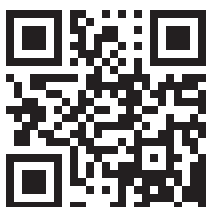


Description	Material	Surface treatment
Pump housing	Cast Iron EN-GJL-250	Polyester powder coated Halar coated (Optional)
Front cover	Steel F-111 / Polycarbonate	Polyester powder coated Halar coated (Optional)
Rotor	Nodular Cast Iron EN-GJL-400	Cataphoresis
Rollers	Steel F-114 + Polyurethane	--
Base plate	Steel F-111 Stainless Steel AISI-304 (Optional)	Polyester powder coated --
Connections	Stainless Steel AISI-304 Polypropylene (Optional) PVDF (Optional)	--



A	B	C	D	E	F	G	H	J	K	L	M	Connections
850	580	*	136	212	510	378	707	520	25	740	25	DIN DIN50

\* To confirm according type and power driver.



**Bombas Boyser, S.L.**

c/ Miquel Martí i Pol, s/n - Pol. Ind. Pla de la Costa  
08182 Sant Feliu de Codines - Barcelona - Spain

Tel. +34 93 844 77 78 info@boyser.com

[www.boyser.com](http://www.boyser.com)

